



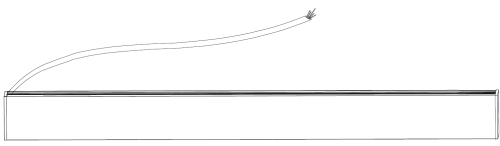

LOKE Pendant UP/Down 120

Mounting

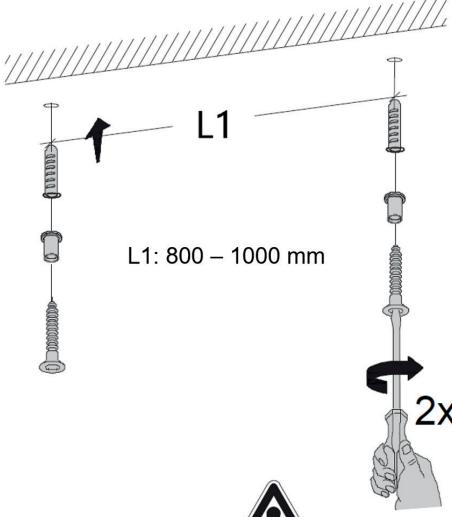
LOKE can be mounted directly to the ceiling or to the T-bars of a suspended ceiling using the included T24 T-bar clips

Mounting directly to ceiling

- 1.) Unbox luminaire and pendant wires. Use screws and plugs suitable for your ceiling





- 2.) Fasten the mounting stud to the ceiling



L1

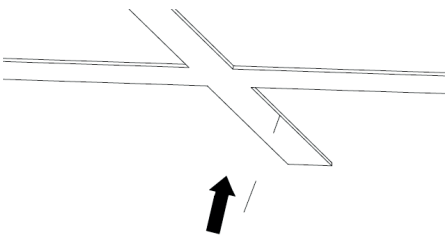
L1: 800 – 1000 mm



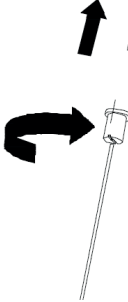
2x

Mounting with T-bar clip

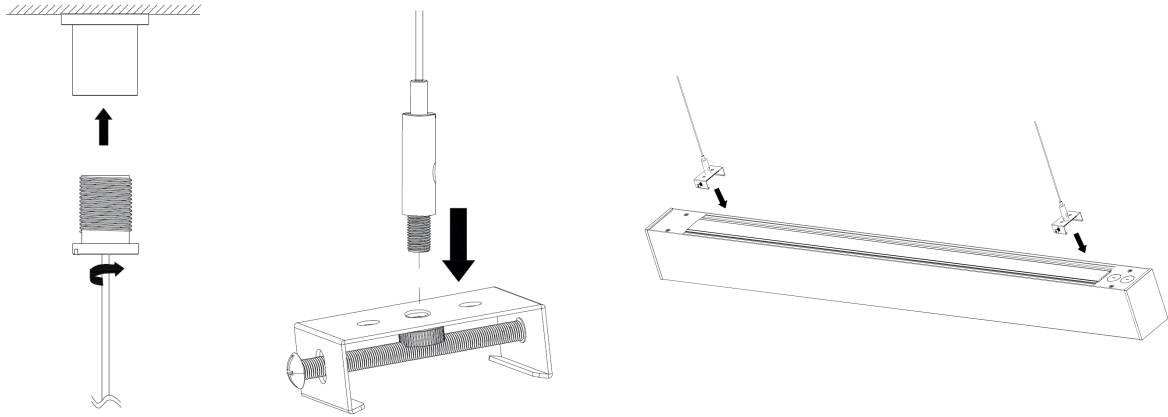
- 1.) Secure T-bar clip to T24 profile in the suspended ceiling



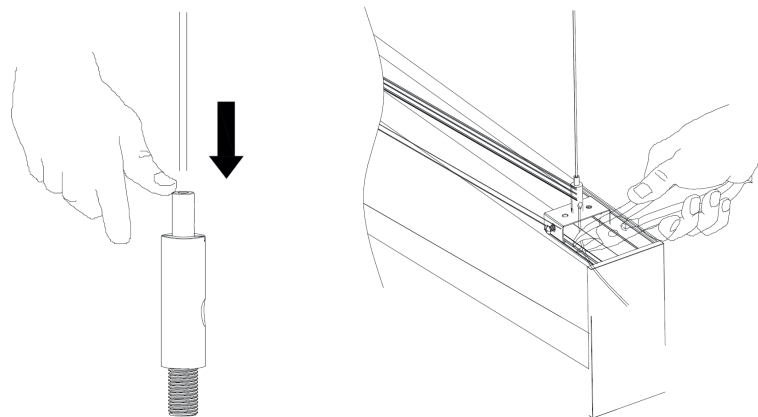
- 2.) Attach the mounting stud to the bolt on the T-bar clip



- 3.) Fasten the threaded wire fitting to the mounting stud. Attach the other end to the luminaire bracket. Attach luminaire bracket to luminaire and secure it by fastening the screw.




- 4.) Adjust luminaire height and cut wire to appropriate length, leaving room for future adjustment. Remaining wire can be placed in the slots next to the top side light source



- 5.) Perform the electrical installation according to standards and regulations in your region (see page 3: "Electrical installation")
- 6.) Use zip-ties to secure the power cable to the suspension wire

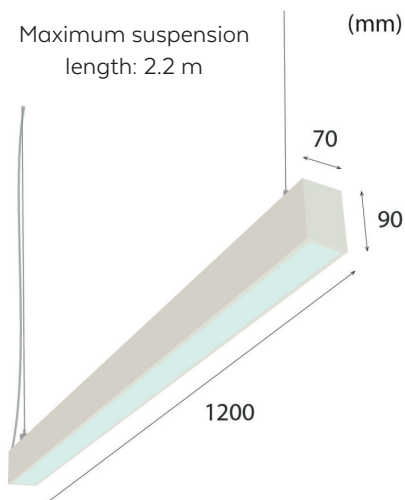
Electrical Installation

Disconnect power before installation, maintenance or service.

<p>EU WAGO Connect the WAGO connectors</p> 	<p>EU Terminal Remove WAGO connector from cable. Internal wires are color coded: Neutral (N): Blue Line (L): Brown Protective ground (⊥): Green DA+: Grey DA-: Black DALI is polarity insensitive.</p>
---	---

LOKE Data

Maximum circuit breaker loading (no of luminaires):	@230V	B10	B13	B16	C10	C13	C16
		21	28	34	21	28	34
Rated power:	75W						
Weight:	4.9 kg						
Light source energy class:	C						
User replaceable light source:	No						



Warning

- Disconnect or turn power off before installation, maintenance or service.
- Installation requires knowledge of luminaire's electrical systems. If not qualified, do not attempt installation. Contact a qualified electrician.
- Brainlit's luminaires must be installed in compliance with international wiring regulations (EN, IEE, NEC etc.).
- Secure luminaire compatibility with input voltage and frequency.
- To prevent wiring damage or abrasion, do not expose wiring to edges of sheet metal or sharp objects.
- Risk of fire or electric shock. Keep combustible and other inflammable materials away from lamp/lens.
- The luminaire is not suitable for covering with thermally insulating material.
- Do not operate in close proximity to persons, inflammable materials or substances affected by heat or drying.
- Wear gloves and safety glasses when removing luminaire from carton, installing, servicing or performing maintenance.
- Do not touch enclosure or light source.
- Allow lamp/luminaire to cool down before handling.
- The connecting cable is not waterproof.
- No user serviceable parts inside of luminaire.
- Luminaire to be independently supported to building structure.
- Avoid direct eye exposure to light source when luminaire is on.

This document contains information that is subject to change without notice. This document is solely intended for, and may only be used for, the purpose of providing luminaire products to the BrainLit BioCentric Lighting System. The performance indications for BrainLit products set forth in this document are based on, and conditioned on, the products being used solely in the BrainLit BioCentric Lighting System. However, this document shall not be deemed a product warranty, whether express or implied. The BrainLit product warranty is solely contained in the purchase agreement with each customer. This document is subject to BrainLit AB's copyright. No part of this document may be reproduced or transmitted in any form or by any means, or shared with any third party, without the prior written approval of BrainLit AB. BrainLit products may be protected by one or more patents and by copyright and design rights. "BrainLit" and "BioCentric Lighting" are registered trade marks of BrainLit AB. This document does not confer upon the recipient a license to any of BrainLit intellectual property rights.
